

# DENTAL TRIBUNE today



### Scenes from Monday at the GNYDM

See some friendly faces, meet some international colleagues and attend some presentations.

»pages 4–8



### Teaming up to grow your practice

Program uses actionable data to improve patient care, team collaboration and profitability.

»page 16



### Keep the tradition, get the benefits

Resin cement combines the benefits of bonding with the simplicity of traditional cementation.

»page 18

## Coming soon (or even sooner)

By Robert Selleck, *today* Staff

■ With its proximity to the close of the tax year for many attendees, the Greater New York Dental Meeting has long been known for its “good-time-to-buy” schedule on the calendar. But with its size and four days of exhibits, the meeting also is frequently used as an effective launching pad for new products, services and other innovative advancements.

New or improved offerings can be found throughout the 2019 exhibit hall.

In booth No. 4013, you can find the new BioSonic UC150 Ultrasonic Cleaner from COLTENE. The Swiss-

»see SOON, page 3



■ In the exhibit hall’s Social Media Café, from left, are dental hygiene students Marcella Valenti, Camille Tabban, Jessica Sofen and Lara Jabar. They’re in their first year at Bergen Community College in Paramus, N.J., and at their first GNYDM. (Photos/Robert Selleck, *today* Staff)



■ Ron Kaminer, DDS, describes how he uses the Shofu EyeSpecial digital camera along with other digital tools in his practice to improve patient acceptance of a variety of restorative procedures. Shofu sponsored the Monday morning session on the Live Dentistry stage, ‘Blending New Technology for Predictable Dentistry.’ (Photo/Robert Selleck, *today* Staff)

## Just picture this

By Robert Selleck, *today* Staff

■ Live procedures are again on the agenda today in the Live Dentistry arena.

At 9:45 a.m., Sunil Thanik, DMD, demonstrates the LANAP protocol (for teeth) and LAPIP (for implants), sponsored by Millennium Dental Technologies.

At 2 p.m. Justin Chi, DDS, presents “Modern Materials in a Digital Era,” sponsored by Glidewell Dental.

In Monday morning’s session, spon-

sored by Shofu, Ron Kaminer, DDS, explained how he uses the Shofu EyeSpecial digital camera and digital scans to boost patient acceptance and predictable outcomes.

The 1:30 p.m. session listed Frederick Solomon, DMD, with “Guided Veneer Delivery System,” sponsored by FirstFit. At 3:30 p.m., it was Karla Soto, DMD, and Christian Coachman with “The Light Dentistry Concept – Invisalign Go and DSD Direct.”

Two more live demonstrations are scheduled for Wednesday.

# Walk the Digital Workflow with Henry Schein

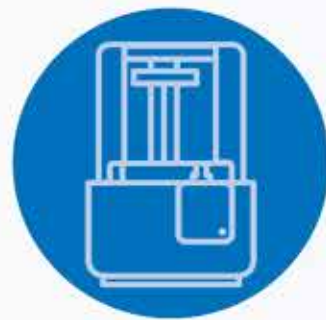
Visit booth #4225 | #RelyonHenrySchein



**IMAGE**



**SCAN**



**PRODUCE**



**TREAT**

---

**3% REBATE**  
on 3D Extraoral Imaging  
through December 27th!

---

Supplies | Equipment | Practice Management Systems | Digital Technology | Technical Service | Business Solutions

**today** About  
the Publisher

Tribune America, LLC  
118-35 Queens Blvd., Ste. 400  
Forest Hills, N.Y. 11375  
Phone: (212) 244-7181  
Fax: (212) 244-7185  
E-mail: [info@dental-tribune.com](mailto:info@dental-tribune.com)  
[www.dental-tribune.com](http://www.dental-tribune.com)

Publisher & Chairman  
Torsten Oemus  
[t.oemus@dental-tribune.com](mailto:t.oemus@dental-tribune.com)

President/Chief Executive Officer  
Eric Seid  
[e.seid@dental-tribune.com](mailto:e.seid@dental-tribune.com)

Group Editor  
Kristine Colker  
[k.colker@dental-tribune.com](mailto:k.colker@dental-tribune.com)

Managing Editor  
Fred Michmershuizen  
[f.michmershuizen@dental-tribune.com](mailto:f.michmershuizen@dental-tribune.com)

Managing Editor  
Sierra Rendon  
[s.rendon@dental-tribune.com](mailto:s.rendon@dental-tribune.com)

Managing Editor  
Robert Selleck  
[r.selleck@dental-tribune.com](mailto:r.selleck@dental-tribune.com)

Product/Account Manager  
Humberto Estrada  
[h.estrada@dental-tribune.com](mailto:h.estrada@dental-tribune.com)

Product/Account Manager  
Maria Kaiser  
[m.kaiser@dental-tribune.com](mailto:m.kaiser@dental-tribune.com)

Product/Account Manager  
Jordan McCumbee  
[j.mccumbee@dental-tribune.com](mailto:j.mccumbee@dental-tribune.com)

Client Relations Coordinator  
Leerol Colquhoun  
[l.colquhoun@dental-tribune.com](mailto:l.colquhoun@dental-tribune.com)

Accounting Department  
Nirmala Singh  
[n.singh@dental-tribune.com](mailto:n.singh@dental-tribune.com)



Published by Tribune America  
© 2019 Tribune America, LLC  
All rights reserved.

today Greater New York Dental Meeting Show Dailies Vol. 14 appear during the Greater New York Dental Meeting in New York City, Dec. 1 to Dec. 4, 2019.

Tribune America makes every effort to report clinical information and manufacturers' product news accurately, but cannot assume responsibility for the validity of product claims, or for typographical errors. The publishers also do not assume responsibility for product names or claims, or statements made by advertisers.

Opinions expressed by authors are their own and may not reflect those of Tribune America or Dental Tribune International.



• Snow falls upon Monday's Greater New York Dental Meeting, making boots and warm jackets a must.

**SOON** \*from page 1

designed unit can accommodate a wide variety of beakers, baskets and instrument cassettes.

In booth No. 403, Biolase is displaying the industry's first laser designed for dental hygiene procedures. The Epic Hygiene Diode laser is expected to receive FDA clearance by year end. Give it a test drive here in New York and receive a free scarf. Buy one and get a *hotels.com* gift card and Away carry-on luggage.

In Septodont's booth (No. 3219), you can check out the Dentapen, a new generation of powered injector. The device, which fits in the palm of your hand, has no cords, no console, nor any long tubing. According to the company, it's actually smaller and lighter than many traditional syringes, and it enables dentists to deliver slow, consistent injections that reduce patient discomfort and pain.

In booth Nos. 1813, 2012, 4307, Designs for Vision is here with its IR Series HDi headlights that feature touch-free operation to eliminate cross contamination. They're available in "WireLess" and corded designs.

Other new products include the Trios 4 Move + intraoral scanner from 3Shape (booth No. 2626) and the first laser curing light for the everyday dentist, the Monet, from AMD Lasers (booth No. 900). At Ansell (booth No. 4904), you can learn more about gloves with Soft White Nitrile TQ-601,



• From left, Lina Dawli, RDH, and Cynthia Flores display the Epic Hygiene laser, designed by hygienists for hygienists, in the Biolase booth (No. 406).

which is designed with the company's patented HYDRASOFT Skin Moisturizing Technology. This is said to allow skin to retain two times more moisture than gloves without.

VOCO America (booth No. 2600) is offering a limited-time offer on Admira Fusion x-tra, which is a single-shade, omni-chromatic, nano-ORMOCER restorative that allows

for simple and fast restorations using just one universal shade.

EDS/Essential Dental Systems (booth No. 2003) is introducing Safe-Siders HF helical flat rotary instruments and the Endo-CSV cordless endo motor.

The exhibit hall is open until 5:30 p.m. today and again Wednesday from 9:30 a.m. to 5 p.m.

# Scenes from Monday



• Welcome to the 2019 Greater New York Dental Meeting.



• Elizabeth Malcolm, left, and Gina Susino of EDS/Essential Dental Systems (booth No. 2003). SafeSiders HF helical flat rotary instruments and the Endo-CSV cordless endo motor are among the new products at EDS this year.



• Diella Tali-Williams, left, and Heather Fischthal have plenty of new products to show you at Benco (booth No. 1617).



• The team members at DentaleZ (booth No. 3406) stand ready to assist meeting attendees with a wide range of products.



• Ben Chacko of ContacEZ (booth No. 3424).



• From left: Walter Czysky, Sean Owen and Nicolas Rohde, PhD, of vhf camfacture AG (booth Nos. 1027 and 1217), one of the many companies exhibiting in the German Pavilion.



• The Korea Pavilion is one of several special areas set aside on the show floor.

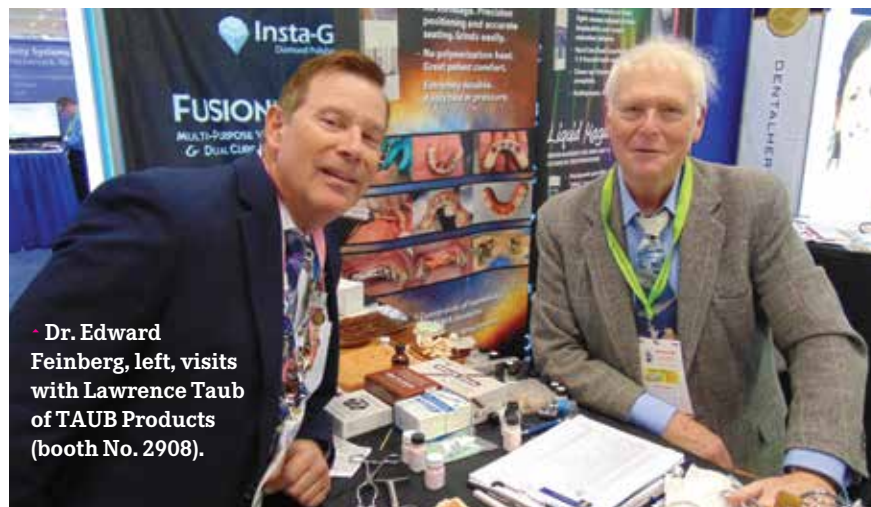
Photos by  
**Fred Michmershuizen,**  
*today* Staff



• At the Glidewell Dental (booth No. 4414), there are always plenty of friendly faces on hand to greet meeting attendees.



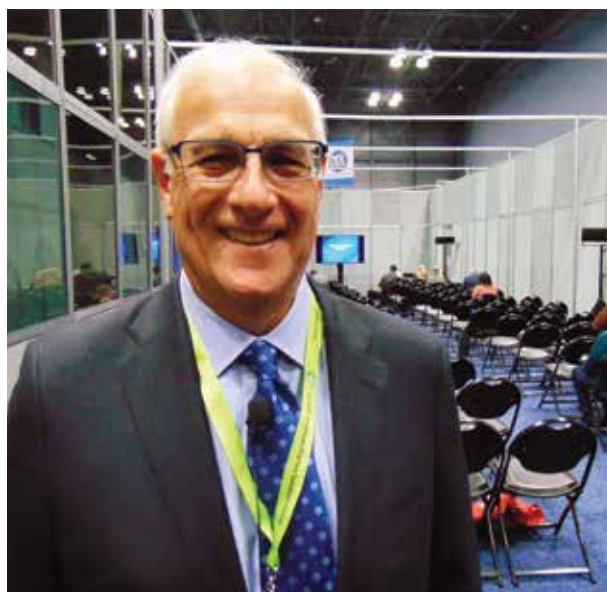
• Jennifer O'Doherty of Pulpdent Corp. (booth No. 3108).



• Dr. Edward Feinberg, left, visits with Lawrence Taub of TAUB Products (booth No. 2908).



• Tiina Holkko of Finland at the Futudent booth, No. 1405.



• Dr. Howard S. Glazer, presenter of 'New Materials and Products You Need to Be Purchasing,' pauses for a break during his talk. Biodentene bioactive dentin substitute, available from Septodont (booth No. 3291), was one of the many products discussed during the half-day seminar.



• Dr. Jeffrey Babushkin has a seat at RGP Dental (booth No. 1015), assisted by Jason DeCosta. RGP offers ergonomic seating for the entire dental office.

• Annika Swenson, left, and Maryann Minucci of VOCO America (booth No. 2600). One of the many products available at VOCO is Admira Fusion x-tra, a restorative that allows for simple and fast restorations using just one universal shade.



• Robert Mopper, left, and Ed Matthews of Cosmedent (booth No. 3017), which is offering its new ROCK Cement and many other innovative products.



• Zach Moore of White Towel Services (booth No. 3121).



• From left: Karen McPartlin, Alexa Parathyras and Al Cuellar are ready to assist dental professionals at Henry Schein (booth No. 4126).



• Dr. Gregori M. Kurtzman of Silver Spring, Md., one of the many educators here at the Greater New York Dental Meeting, is offering two half-day presentations today — 'A Restorative Dentist's View: Preserving Teeth for Better Long-Term Results' from 9 a.m. to noon and 'Conservative Restorative Endodontics and Preserving Teeth: A Hands-On Workshop' from 2 to 5 p.m.



• From left: Brittany Gray, Nicolle Marquette and Kay Hickey of Zirc (booth No. 3316).



• Dr. Wilson Chediek, Sao Paulo Dental Association president, with a handful of Brazilian dentists. About 800 dentists traveled to GNYDM from Brazil this year. (Photo/José Antonio Rosario for *today*)

# VISIT BOOTH #2812 FOR A FREE DEMONSTRATION

## HURRICAIN<sup>®</sup>

Topical Anesthetic  
20% Benzocaine Oral Anesthetic



### 20% Benzocaine for fast, temporary relief of occasional minor irritation and pain associated with:

- Sore mouth and throat
- Canker sores
- Minor dental procedures
- Minor injury of the mouth and gums
- Minor irritation of the mouth and gums caused by dentures or orthodontic appliances

#### EFFECTIVE

- Trusted by dental professionals for over 40 years
- Eliminates pain and discomfort

#### FAST-ACTING

- Relief within 30 seconds

#### SAFE

- Virtually no systemic absorption
- Available over the counter

## HURRIPAK<sup>™</sup>

Periodontal Anesthetic Kit

### STARTER KIT

### GREAT TASTING ORIGINAL WILD CHERRY AND PIÑA COLADA FLAVORS!

Only use what you need - no pre-filled carpules  
No expensive dispensers or accessories to buy



HurriPAK<sup>™</sup> Periodontal Anesthetic Kit is a great alternative to local injections prior to root planing and scaling or full mouth debridement. Whether scaling an entire quadrant or an isolated area, HurriPAK allows dispensing only the amount of liquid needed, so no product is wasted. Plastic irrigation tips enable effective sub-gingival application of HurriCaine<sup>®</sup> Topical Anesthetic Liquid and are gentle to soft tissue.

#### FEATURES

Fast onset  
OTC product  
Plastic irrigation tips  
Disposable syringes and tips  
Original Wild Cherry and Piña Colada flavors  
More economical than other kits

#### BENEFITS

Works within 30 seconds  
Safer than Rx products  
Accepted well by patients  
Convenient  
Pleasant tasting  
Saves you money!

#### ORDERING INFORMATION:

##### 0283-1009-09

HurriPAK Periodontal Anesthetic Starter Kit Contains:  
1 fl. oz. bottle of Wild Cherry flavored HurriCaine Liquid,  
1 fl. oz. bottle of Piña Colada flavored HurriCaine Liquid,  
12 disposable periodontal irrigation syringes and tips  
and 2 Luer-Lock Dispensing Caps

##### 0283-1107-07

HurriPAK Refill Kit Contains:  
10 disposable periodontal irrigation syringes and tips

##### 0283-0908-21

HurriPAK Periodontal Irrigation Tips Package Contains:  
20 disposable periodontal irrigation tips

### Beautiful Results Without the Sensitivity

## HURRISEAL<sup>®</sup>

### DENTIN DESENSITIZER

#### HurriSeal<sup>®</sup> Dentin Desensitizer

is a simple, one-step, chairside procedure for treating and preventing dentinal hypersensitivity. HurriSeal's unique HEMA, Sodium Fluoride and Benzalkonium Chloride formula acts in seconds to seal dentinal tubules.

#### TREAT SENSITIVITY

Treat cervical sensitivity and provide immediate relief lasting up to 9 months.

#### PREVENT SENSITIVITY

Prevent post-procedure discomfort associated with restorative procedures. Just a quick application after etching is all you need to prevent sensitivity for the lifetime of the restoration.

#### EFFECTIVE

HurriSeal offers chairside relief with only a quick 30-second application.

#### EASY TO USE

No mixing or light-curing. Just a quick and simple chairside application with instant results.

#### SOFT TISSUE FRIENDLY

Unlike products containing glutaraldehyde, HurriSeal is gentle to soft tissue and does not cause gingival irritation when used as directed.

#### RESTORATIONS

Not only does HurriSeal act as a wetting agent, but it also increases the bond strength under restorations.\*



## HURRIVIEW<sup>®</sup>

Plaque Indicating Snap-n-Go<sup>™</sup> Swabs

## HURRIVIEW II<sup>®</sup>

Two-Tone Plaque Indicating Snap-n-Go<sup>™</sup> Swabs



HurriView<sup>®</sup> and HurriView II<sup>®</sup> will help you show patients where they have plaque build-up & help motivate them to improve their oral hygiene routines.

- HurriView highlights where improved oral hygiene is needed
- HurriView II highlights old plaque in blue and new plaque in reddish-pink
- Individually wrapped
- In-office evaluation or dispense for home use
- Available in boxes of 72
- No messy rinses or tablets!



#### SNAP

colored ring to send solution to the opposite tip



#### APPLY

cotton tip to teeth and gumline

#### ORDERING INFORMATION

##### HurriView

Box of 72 Snap-n-Go Swabs  
Product #0283-0104-72

##### HurriView II

Box of 72 Snap-n-Go Swabs  
Product #0283-1105-72

**Beutlich<sup>®</sup>**  
PHARMACEUTICALS LLC  
Since 1954

To place an order or for more information, please contact your Dental Supplier or call us at  
1-800-238-8542, M-F: 8:00 a.m. – 4:30 p.m. ET. [www.beutlich.com](http://www.beutlich.com)

HurriCaine is a registered trademark of Beutlich<sup>®</sup> Pharmaceuticals, LLC. HurriPAK is a trademark of Beutlich Pharmaceuticals, LLC. HurriSeal is a registered trademark of Beutlich Pharmaceuticals, LLC. HurriView and HurriView II are registered trademarks of Beutlich Pharmaceuticals, LLC. Snap-n-Go<sup>™</sup> is a trademark of Beutlich Pharmaceuticals, LLC. DTFC 716 1119

• In an exhibit-hall classroom session Monday morning, sponsored by Dentatus, Paul Petrungaro, DDS, presents 'Managing Challenging Situations with Narrow Body Implants.' (Photo/Robert Selleck, *today* Staff)



• Incoming Chairman Dr. James Doundoulakis and departing Chairman Dr. Lauro Medrano with a group of international dental leaders on Monday at GNYDM. (Photo/José Antonio Rosario for *today*)



• Marc Vernick, left, and Douglas Dries of Wells Fargo (booth No. 3815) stand before the Wells Fargo wagon, a mode of transport that is immortalized in a catchy song of the same name in the popular musical 'The Music Man.'



• Lonie Avila, MC of the GNYDM's Leadership Conference Breakfast. (Photo/José Antonio Rosario for *today*)



• From left: Tracy Thompson, Bo Sutch, Mark DeVore, Matt Bowen and Mike Soreco at the Biotec and Porter Instrument Co. booth (Nos. 5215 and 5216).



• From left: Jami La Haye, Erin Merkel and Annie Ethridge of Tess Oral Health (booth No. 2915).



• Departing GNYDM Chairman Dr. Lauro Medrano with GNYDM Education Director Avery Sandiford. (Photo/José Antonio Rosario for *today*)



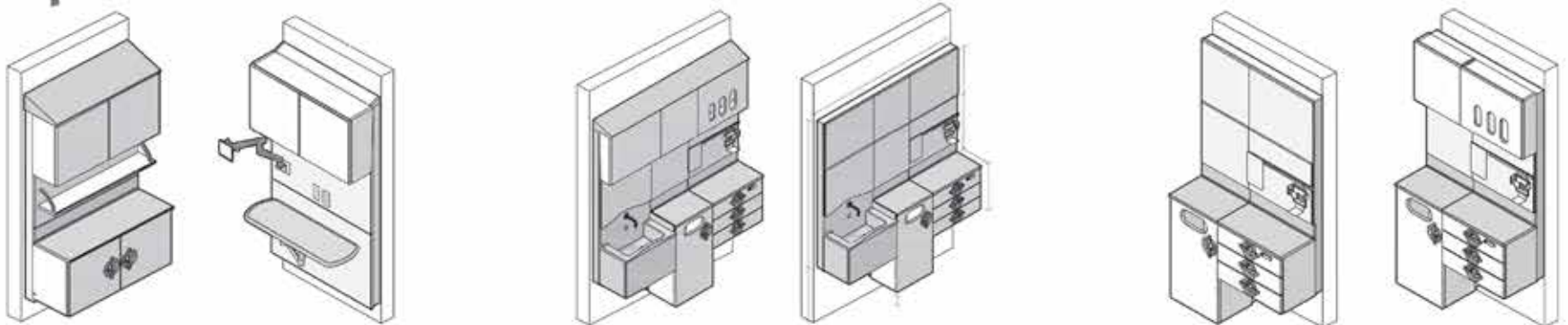
• From left: Ginny Perez, Raul Ramdayal, Elisabeth Gramatges and Cecil Armbrister of DNTLIT Dental IT Solutions (booth No. 1419).



# Compass™ System Cabinetry for the Dental Operator



## Options



**Benco Dental is the only national dental distributor of Herman Miller furniture.**  
For details, contact your Friendly Benco Equipment Specialist, call 1.800.GO.BENCO or visit [benco.com](http://benco.com).

**Benco Dental**