

NATIONAL HARBOR TO HOST ADSO

Gaylord National Resort & Convention Center is site for Association for Dental Support Organizations 2020 Summit.

▶ page A2



NEW WAY TO STORE X-RAY APRONS

Creative design includes easy way to adjust the hanger to accommodate aprons that hang — or aprons that drape.

▶ page A9



IMPLANT TRIBUNE IMPLANT CONFERENCE

American Association of Oral and Maxillofacial Surgeons will meet in Chicago from Dec. 5-7.

▶ page B1



Greater New York Dental Meeting reaches new heights

According to meeting organizers, the Greater New York Dental Meeting last year continued its growth with total registration of 52,320, reconfirming its status as the largest and most popular dental meeting, exposition and congress in the United States and one of the top dental meetings in the world.

Among the registrants in 2018 were 20,187 dentists, 3,949 hygienists, 5,206 dental assistants and 2,319 office administrators. The meeting's agenda enables the entire dental community to experience the industry's most up-to-date and innovative technologies, methods, products and procedures.

Attendees again this year can anticipate being able to visit more than 1,600 exhibit booths staffed by top talent from the world's most renowned dental companies — and select from hundreds of continuing education courses taught by some of the world's most prominent health care professionals.

The GNYDM is an ADA CERP- and AGD

PACE-recognized provider. And there's plenty of C.E. to choose from. The meeting offers C.E. opportunities covering almost every dental subject, and many offerings are available for a minimal cost. On each day of the meeting it's possible to earn up to six credits of C.E. at no cost.

Attendees can obtain more C.E. credits and save money by purchasing a C.E. Passport Bundle of as many seminars and essay courses as desired during all six days of the show (registration for all courses is required).

Scientific sessions comprise more than 350 seminars, hands-on workshops, essays and poster sessions. Hundreds of the world's most respected dental educators present full- and half-day courses.

As always, preregistration for the meeting is free. There is a \$40 per-person on-site and online administrative fee starting Nov. 29, for those who do not pre-register.

All programs are held at the Jacob K.

▶ See HEIGHTS, page A2



Escalators in the 34th Street-Hudson Yards Subway Station near the Jacob K. Javits Convention Center are ready to deliver attendees to education and exhibits at the Greater New York Dental Meeting. Photo/DTA

EVENTS

A2

- National Harbor, Md., to host Association for Dental Support Organizations 2020 Summit from March 11-13

INDUSTRY NEWS

A4-A13

- From scanning to same-visit delivery: Moving at the speed of digital with glidewell.io
- Loupes expand vision: Designs for Vision headlight delivers high-definition, uniform light at maximum intensity
- Treat pulpotoomies with TheraCal PT: Resin-modified calcium silicate from BISCO performs as barrier and protectant of pulpal complex
- 'Tranzform' the way you store your X-ray aprons with Flow Dental's new hanger
- Sulzer Mixpac awarded \$2 million in candy-colors trademark infringement

IMPLANT TRIBUNE

B1

- The American Association of Oral and Maxillofacial Surgeons Dental Implant Conference will be held in Chicago from Dec. 5-7

700-plus exhibitors at GNYDM

The Greater New York Dental Meeting exhibit hall at the Jacob K. Javits Convention Center will run from Sunday, Dec. 1, through Wednesday, Dec. 4. The exposition will feature more than 700 dental manufacturers, service providers and other dental organizations in more than 1,600 booths. A 425-seat high-tech arena will feature live-dentistry sessions each day in the exhibit hall.

The exhibition is internationally recognized as one of the biggest and most influential showcases for the dental in-

dustry's latest products, services, technologies and equipment.

Multilingual personnel are available to assist and encourage interactions between exhibitors and international guests. The event expects to meet or surpass the 10,661 registrants from 146 countries that it recorded in 2018.

The meeting will have programs in Spanish, French, Portuguese, Korean and Russian.

(Source: GNYDM)

National Harbor to host ADSO



The terrace at the Gaylord National Resort & Convention Center, in the heart of National Harbor's entertainment district, has a commanding view of the Capital Wheel on the Potomac River. Photo/Provided by Gaylord National Resort & Convention Center

Its 2020 Summit is set for March 11-13

The Association for Dental Support Organizations (ADSO) 2020 Summit, to be held from March 11–13 in National Harbor, Md., will feature some of the most successful names in the industry sharing what they have learned on their path to success.

Membership with ADSO is not required for DSO and group-practice attendees; however, members do receive complimentary registrations. Organizations that provide products and services to DSOs and/or to group practices that want to attend, sponsor or exhibit at Summit 2020 need to first join the ADSO Industry Partner program. Details are available via email from Membership@TheADSO.org.

For details on the summit, you can contact Info@TheADSO.org or (703) 940-3860. The summit will be held at the Gaylord National Resort & Convention Center, in the heart of National Harbor's entertainment district overlooking the Potomac River — all easily accessible to Alexandria, Va., and Washington, D.C.

The ADSO describes itself as the nation's primary champion and representative of group-practice and dental-support business models. Members span the breadth of those sectors, including emerging DSOs (supported through education, training and mentorship to help them grow their business) — as well as established DSOs (supported through advocacy efforts).

The association is committed to meeting the varied needs of its members — no matter what stage of scale and development — so members can focus on promoting the highest quality patient care.

Held since 2014 and expanding every year, the summit enables DSOs and industry partners to share insights and experiences in an educational setting serving every sector. The association's mission is to work with members to create practice environments where dentists can choose the administrative services that best enable them to focus on patients, expand access to quality dental care and improve the oral health of their communities.

(Source: ADSO)

◀ HEIGHTS, page A1

Javits Convention Center, 11th Avenue between 34th & 39th streets, unless otherwise indicated in the program guide.

The event takes place in the "World Capital of Excitement" with its nonstop cultural, sporting and social events during the peak holiday season that many view as New York City's most enchanting time of the year.

You can register and get all of the details at www.gnydm.com.

(Source: GNYDM)

DENTAL TRIBUNE

The World's Dental Newspaper - US Edition

PUBLISHER & CHAIRMAN
Torsten Oemus t.oemus@dental-tribune.com

PRESIDENT & CHIEF EXECUTIVE OFFICER
Eric Seid e.seid@dental-tribune.com

GROUP EDITOR
Kristine Colker k.colker@dental-tribune.com

EDITOR IN CHIEF DENTAL TRIBUNE
Dr. David L. Hoexter feedback@dental-tribune.com

MANAGING EDITOR U.S. AND CANADA EDITIONS
Robert Selleck r.selleck@dental-tribune.com

MANAGING EDITOR
Fred Michmershuizen
fmichmershuizen@dental-tribune.com

MANAGING EDITOR
Sierra Rendon s.rendon@dental-tribune.com

PRODUCT/ACCOUNT MANAGER
Humberto Estrada h.estrada@dental-tribune.com

PRODUCT/ACCOUNT MANAGER
Maria Kaiser m.kaiser@dental-tribune.com

PRODUCT/ACCOUNT MANAGER
Jordan McCumbee j.mccumbee@dental-tribune.com

CLIENT RELATIONS MANAGER
Leerol Colquhoun l.colquhoun@dental-tribune.com

ACCOUNTING COORDINATOR
Nirmala Singh n.singh@dental-tribune.com

Tribune America LLC
118-35 Queens Blvd, Ste 400
Forest Hills, NY 11375
(212) 244-7181

Published by Tribune America
© 2019 Tribune America, LLC
All rights reserved.

Dental Tribune strives to maintain the utmost accuracy in its news and clinical reports. If you find a factual error or content that requires clarification, please contact Managing Editor Robert Selleck at r.selleck@dental-tribune.com.

Dental Tribune cannot assume responsibility for the validity of product claims or for typographical errors. The publisher also does not assume responsibility for product names or statements made by advertisers. Opinions expressed by authors are their own and may not reflect those of Tribune America.

EDITORIAL BOARD
Dr. Joel Berg
Dr. L. Stephen Buchanan
Dr. Arnaldo Castellucci
Dr. Gordon Christensen
Dr. Rella Christensen
Dr. William Dickerson
Hugh Doherty
Dr. James Doundoulakis
Dr. David Garber
Dr. Fay Goldstep
Dr. Howard Glazer
Dr. Harold Heymann
Dr. Karl Leinfelder
Dr. Roger Levin
Dr. Carl E. Misch
Dr. Dan Nathanson
Dr. Irwin Smigel
Dr. Jon Suzuki
Dr. Dennis Tartakow
Dr. Dan Ward

Tell us what you think!

Do you have general comments or criticism you would like to share? Is there a particular topic you would like to see articles about in Dental Tribune?

Let us know by sending an email to feedback@dental-tribune.com. We look forward to hearing from you!

AD



LED DayLite® WireLess™ Mini HDi™



HDi advanced photonic design provides uniform light distribution with 45% more light.



SAVE UP TO \$450 with a **TRADE IN AND COMBO**



NEW Micro3.0EF Scopes

NEW Loupes



Micro3.5EF Scopes™
Micro4.5EF Scopes™



NEW Galilean 3.0x

AT THE GREATER NY DENTAL MEETING

BOOTH

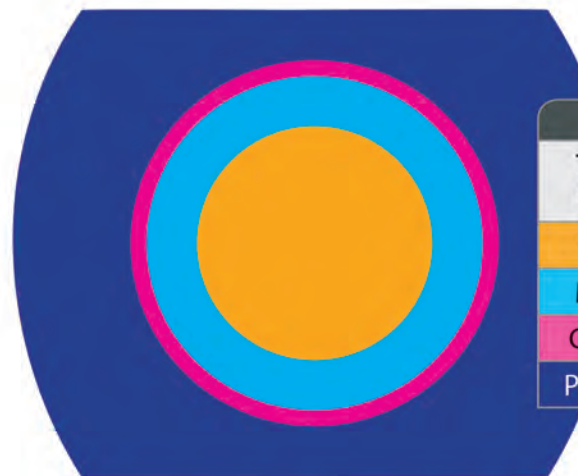
**1813
2012
4307**

See beyond expanded field with **Panoramic Loupes**

NEW patented panoramic field design, doubles the viewable area over prismatic expanded field optics
Available in 3.5x and 4.5x magnification



Patented Panoramic Design: US# US8928975B2



Visualize the entire oral cavity using 4.5x magnification!

	4.5x	
TYPE OF LOUPES	VIEWABLE AREA	FIELD DIAMETER
Galilean	10 cm ²	3.5 cm
Micro-EF	20 cm ²	5.0 cm
Classic-EF	24 cm ²	5.5 cm
Panoramic	65 cm ²	9 x 7 cm



WE'VE EXPANDED - Note our **NEW ADDRESS**

4000 Veterans Memorial Hwy. Bohemia, NY 11716-1024

1.800.345.4009 1.631.585.3300 info@dvimail.com DesignsForVision.com



**Booth # 1813,
2012 and 4307**

AD



Phosphor Plate Users

**Be Safe.
Be Sure.
Be Successful!**



If you use a Scan X, DenOptix, PSPix, Aspixia, or 3D imaging's PSP system, **Deluxe Safe'n'Sure** is the best envelope you can use! Our patented EZ-Glide tab acts as a

ramp for quick loading, and the oversized yellow tab makes peeling and sealing quick and easy too. Center seams

are butterfly'd so you don't have to touch the plates to load them into the reader.

If you use the OpTime system from Soredex choose

Safe'n'Sure OPT.

OPT's also feature our EZ-Glide Tab, and pre-loaded cardboard plate covers to save you a time consuming step!

All these extra features cost you only pennies more than an ordinary envelope.

Also try **Safe'n'Sure Econo** or **Safe'n'Sure 3V**. Both deliver great quality at everyday low prices!



Safe 'n' Sure OPT



For more information visit
FlowDental.com, call us at
1-800-356-9729

*Scan X is a registered Trademark of Air Techniques. DenOptix is a registered Trademark of Gendex/Kavo. PSPix is a registered Trademark of Acteon North America. Apixia is a registered Trademark of Apixia. OpTime is a registered Trademark of Soredex.



glidewell.io™
IN-OFFICE SOLUTION

**GNYDM
BOOTH
NO. 4414**

The glidewell.io™ In-Office Solution. This in-office system lets you scan, design, mill and deliver single-visit crowns using BruxZir® NOW and other industry-leading materials. Photo/Provided by Glidewell Dental

With *glidewell.io*

From scan to one-visit delivery: Moving at the speed of digital

By Glidewell Dental Staff

Advancements in digital dental technology were the industry story for 2019 — and for good reason. CAD/CAM design tools, intraoral scanners and chairside milling in dental practices are increasingly giving dentists the power to provide convenient service and excellent results to their patients while streamlining their workflow, cutting costs and maximizing profit.

Advantages closer than you may realize

Those dentists who have already opened the door to digital dentistry in the form of digital impressions can attest to the fact that simply adopting that one digital change already contains plenty of benefits. Beyond digital scanning alone, the world of in-office digital dentistry has even more exciting advantages. And if you're a dentist who's already scanning, those advantages are closer than you may realize.

Enter the glidewell.io™ In-Office Solution. This affordable in-office system lets you scan, design, mill and deliver single-visit crowns using BruxZir® NOW and other industry-leading materials. Practitioners can save 65 percent on lab bills almost right away while satisfying patients and increasing practice productivity with this versatile suite of technologies.

glidewell.io includes:

- The fastmill.io™ In-Office Mill: Create BruxZir NOW crowns in 40 minutes or less for under \$35 each.
- The fastdesign.io™ Software and Design Station, featuring exclusive AI technology that creates highly accurate design proposals automatically.

As for the scanning part? That's where your existing scanner comes in: glidewell.io connects seamlessly with iTero Element® intraoral scanners. For doctors who already use an Element, the process of implement-

ing glidewell.io couldn't be simpler, the company asserts. If you're not an iTero user, though, don't despair: glidewell.io is compatible with, and can be paired with, any scanner on the market. According to the company, making the connections is simple, especially with the help of the dedicated glidewell.io team of implementation experts who will be on site when your system is set up and available anytime afterward for on-call support.

If you're a clinician who's already doing digital impressions, now is a great time to explore the possibilities of in-office dentistry with glidewell.io. Your existing scanner and skills mean you're already well on the way to success.

Special pricing at GNYDM

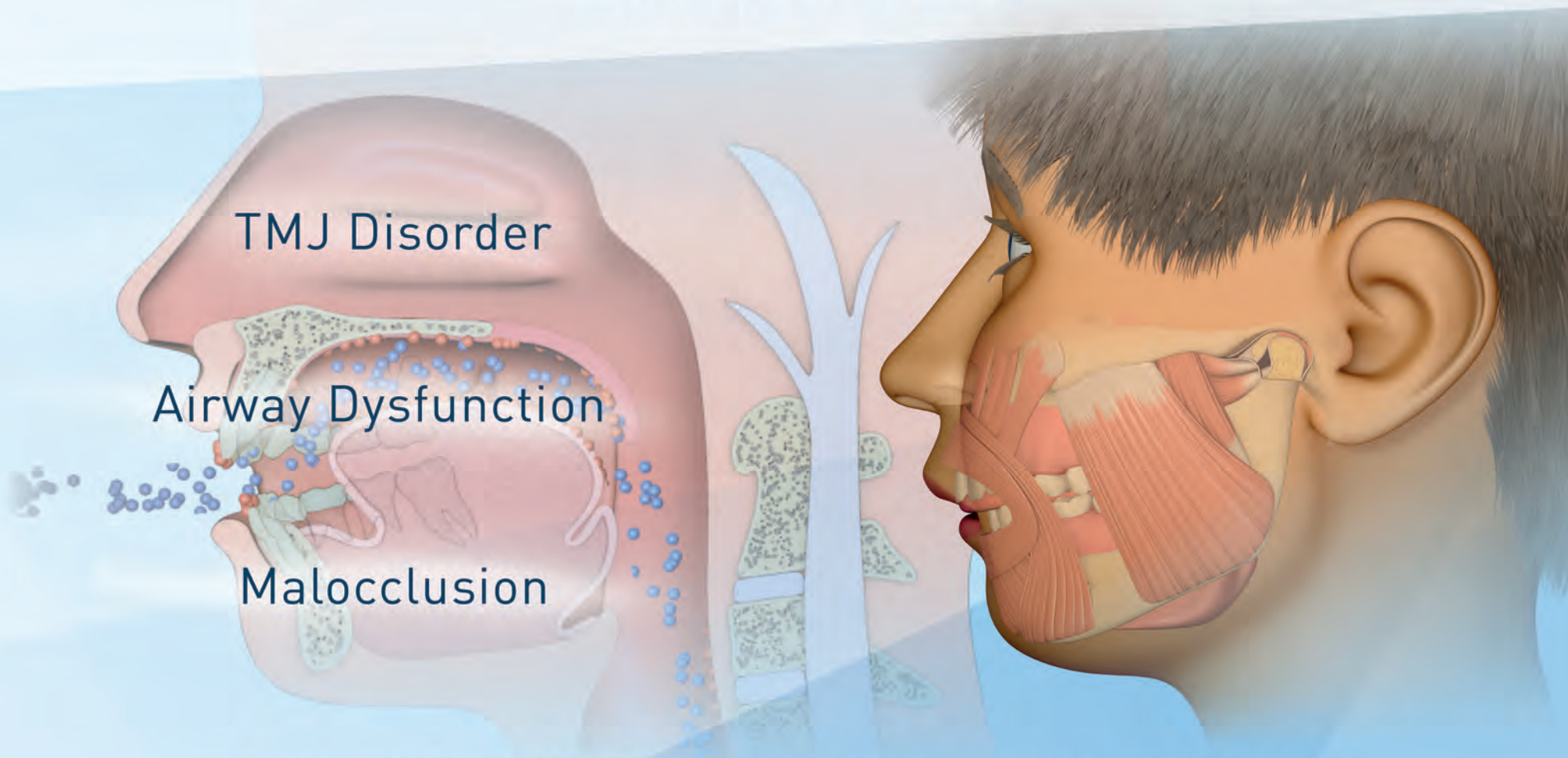
Stop by the Glidewell booth at the Greater New York Dental Meeting to speak with the glidewell.io team and learn how easy and affordable it is to invest with this special pricing. Purchase the fastmill.io for \$49,995, and the company will include everything below at no extra cost:

- One-year equipment warranty
- One-year software license
- fastdesign.io Software and Design Station
- Gold Subscription Service for milling block delivery (three-month trial)
- Six-month supply of milling blocks (15 blocks/month for six months; extension of three-month subscription trial for total 90 blocks free)
- Registration for one exclusive Advanced Digital Dentistry Course at Glidewell's Irvine, Texas, location (includes airfare and two-night hotel stay for one doctor and one team member)
- Free registration to the Glidewell 50th Anniversary Symposium 2020

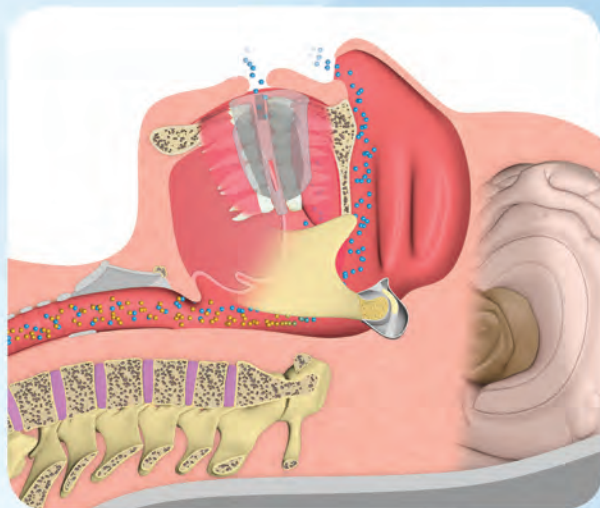
iTero® and iTero Element® are registered trademarks of Align Technology Inc.

COMBINING TMJ, OSA & MYOFUNCTIONAL ORTHODONTICS

TRAINING SEMINARS



Integrating diagnosis and treatment of Airway Dysfunction, TMJ Disorder and Malocclusion.



Airway correction for children and adults.



Immediate diagnosis and treatment of TMJ Disorder.



Myofunctional Orthodontic treatment for ages 3 - 15.



Scan QR code for course details



ATTEND A SEMINAR TO LEARN MORE 866-550-4696 | usa.courses@myoresearch.com

Loupes expand vision

By Designs for Vision Staff

Designs for Vision has launched several new product lines this fall. Designs for Vision will be showing the new patented (U.S. pat. 8928975B2) 3.5x and Panoramic Loupes. According to the company, the Panoramic Field Loupes represent the most significant advancement in telescope design in more than 100 years.

The viewable areas are twice as large as prismatic expanded-field-designed loupes and up to five times greater than Galilean designed optics. Panoramic Field Loupes provide unprecedented field of view, clarity, definition and color, according to the company.

Designs for Vision is also featuring the REALITY 5 Star rated Micro 3.5EF Scopes and Micro 4.5EF Scopes, which use a revolutionary optical design that reduces the size of the prismatic telescope by 50 percent and reduces the weight by 40 percent while providing an expanded field view of the oral cavity. The company also is introducing the Micro 3.0EF in its line of Micro Series Loupes. The Micro 3.0EF has a field of view of 100 mm and weighs less than 70 grams.

You can see the lightest 3.0x magnification with the new 3.0x Galilean loupes from Designs for Vision. The lightweight Galilean design enables users to step up in magnification while retaining a sharp 70 mm field of view.

Designs for Vision is also introducing patented (U.S.

pat. 8,851,709 and RE46,463) hands-free infrared technology with the WireLess IR HDi™ and the Micro IR HDi headlights. These headlights feature HDi, Designs for Vision's exclusive advanced photonic design that provides uniform light distribution with maximum intensity. This feature optically focuses the light from the LED to provide 45 percent more light with uniform distribution at 5,800° Kelvin, the ideal color temperature.

The patented IR feature enables improved infection control by letting practitioners operate the headlight without touching the system. The IR headlights use a built-in infrared signal to enable turning the light on or off simply and safely. Onboard biometrics sense the position of the headlight to filter out unintended signals while working.

Designs for Vision has added the High Definition Imaging to all of its headlights including the LED DayLite® WireLess™ IR and the LED DayLite WireLess Mini, providing a lightweight cordless solution with light intensity comparable to many corded headlights. You can choose High Definition Imaging with either a wired or wireless design to meet your preference, and any of the HDi headlights will illuminate the entire oral cavity.

Designs for Vision's WireLess headlights free users from being tethered to a battery pack. The simple mod-



High-definition headlights optically focus the light from the LED to provide 45 percent more light with uniform distribution.

Photo/Provided by Designs for Vision

GNYDM
BOOTH NOS.
1813,
2012, 4307

AAOMS
BOOTH
NO. 808

ular designs uncouple the headlights from a specific frame or single pair of loupes. Prior technology married a cordless light to one pair of loupes via a cumbersome integration of the batteries and electronics into the frame. The compact design of the LED DayLite WireLess headlights are independent of any frame/loupes.

The LED DayLite Micro HDi uses the new High Definition Imaging with a lightweight headlight in combination with the Micro power pack. The Micro power pack is the lightest and smallest power pack. The complete unit includes two power packs, and each power pack can run up to 10 hours.

You can see the Visible Difference® yourself by visiting Designs for Vision's booths, No. 1813, No. 2012 and No. 4307, at the Greater New York Dental Meeting and in booth No. 808 at the AAOMS meeting in Chicago. Or, to arrange a visit in your office, call (800) 345-4009 or send an email to info@dvmail.com.

AD

Advancing the **Vision 2020**




**Join your peers for Yankee Dental Congress at the
Boston Convention & Exhibition Center from January 30 - February 1, 2020.**



3 Eye-Opening Days

26,000 Excited Attendees

300+ Actionable Sessions

120+ Free Courses

400+ Interactive Exhibits

Unlimited Memories



Register now at yankeedental.com

877.515.9071 | CONNECT WITH US   

Yankee Dental Congress is sponsored by the **ADS** MASSACHUSETTS DENTAL SOCIETY
in cooperation with the Dental Societies of Connecticut, Maine, New Hampshire, Rhode Island, and Vermont

GNYDM: VISIT US AT BOOTH #4013

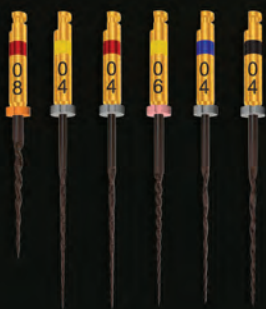
HyFlex[®] EDM

Stays on Track



HyFlex[®] EDM

- Up to 700% higher fracture resistance*
- Specially hardened surface
- Less filing required for treatment success



HyFlex CM[®]

- 300% more resistance to separation
- No rebound + Extreme flexibility = Superior canal tracking
- Regains shape after sterilization = Multi-use

*Int Endod J. 2015 May 22. doi: 10.1111/iej.12470

Terms & Conditions

Promotions end December 31, 2019 (except where otherwise noted).

To qualify for free goods on individual promotions, full quantity must be purchased at one time. Eligibility is restricted to the United States and Canada (excludes US territories). May not be combined with other COLTENE promotions unless otherwise noted.

REDEMPTION INFORMATION. Submit dealer invoice with promotion code by January 31, 2020, to qualify for redemption. Promotion code MUST be noted on the invoice submission. Incomplete submissions will not be processed. For fastest service, submit your redemption request with invoices at rebates.coltene.com. Invoices with backordered product will not be honored; orders must be shipped in full.

Call Us: 800.221.3046 | Fax: 330.645.8757 | coltene.com

COLTENE

50 + 25

Buy 50 HyFlex EDM refills
Get 25 of equal or lesser value

promo code: CS-4128

50 + 25

Buy 50 HyFlex CM refills
Get 25 of equal or lesser value

promo code: CS-4127

4 + 1

Buy 4 HyFlex EDM refills
Get 1 of equal or lesser value

promo code: CS-4120

4 + 1

Buy 4 HyFlex CM refills
Get 1 of equal or lesser value

promo code: CS-4126

Treat pulpotomies with TheraCal PT

Resin-modified calcium silicate performs as barrier and protectant of pulpal complex

By Fred Michmershuizen,
Dental Tribune Staff

BISCO Dental Products has recently introduced TheraCal PT — a biocompatible, dual-cured, resin-modified calcium silicate designed for pulpotomy treatment. It's the latest product in BISCO's "Thera" family of products that also includes TheraCem self-adhesive resin cement and TheraCal LC pulp capping liner. All three products feature resin-modified calcium silicate technology with calcium releasing abilities.

In an interview at the 2019 American Academy of Pediatric Dentistry meeting in Chicago, Katherine Steyer, product

marketing manager at BISCO Dental, explained that TheraCal PT maintains tooth vitality by performing as a barrier and protectant of the dental pulpal complex.

Steyer said that when a primary tooth is compromised, it is important to save it because it is important for speech, for mastication and for guiding adult teeth. Steyer explained that TheraCal PT is particularly helpful in treating children because it can be used for immediate restoration.

No mixing required

What's more, TheraCal PT does not require mixing like MTA, Steyer said. And further, unlike calcium hydroxide, it is moisture tolerant, she said. Another plus, Steyer said, is that it is radiopaque, allowing for easy identification and differentiation from recurrent decay and other restorative materials.

"What's great about this product is an easy application with its direct syringe," Steyer said. "We have a working time of minimum 45 seconds and a setting time

• See PULPOTOMIES, page A9

GNYDM
BOOTH
NO. 1200



In the exhibit hall at the 2019 American Academy of Pediatric Dentistry meeting in Chicago, Katherine Steyer of BISCO Dental Products holds TheraCal PT, BISCO Dental's new product designed for pulpotomy treatment. Photo/Fred Michmershuizen, Dental Tribune Staff

AD

NATIONAL HARBOR

2020

ADSO[®]

SUMMIT

SAVE THE DATE

MARCH 11–13, 2020



TheraCal PT's physical properties resist breakdown and degradation, leading to a durable seal. Photo/ Provided by BISCO Dental

'Tranzform' the way you store your X-ray aprons with Flow's new hanger

Unlike any other X-ray apron hanger, the new Tranzform hanger from Flow Dental enables you to store two aprons on a single hanger, and only Tranzform enables you to adjust the hanger to easily accommodate aprons that hang or aprons that drape.

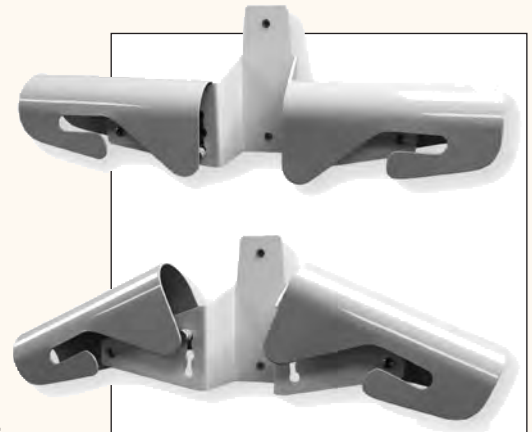
If you would like to prolong the life of your aprons with Flow's Tranzform hanger, visit booth No. 3008 at the Greater New York Dental Meeting for a live demo

**GNYDM
BOOTH
NO. 3008**

and to take advantage of Flow's meeting special. In addition, Flow has the largest selection of lead and lead-free aprons in assorted colors, sizes and styles.

Apart from visiting Flow at the GNYDM, for more information and/or to order, you can contact your local dealer or visit www.FlowDental.com.

(Source: Flow Dental)



The Tranzform Adjustable Apron Hanger, which can hold two X-ray aprons, extends the life of aprons because the shoulder can be adjusted, simplifying hanging, removing and rehangng. Photo/Provided by Flow Dental

◀ PULPOTOMIES, page A8

of maximum five minutes, so the child in the chair is not waiting and wiggling around. It's fast and easy."

"It is dual cured, so you'll be able to hit it with a light for 10 seconds, and then go ahead and immediately do the restoration without having the patient come back," she said.

"It has a great feature of calcium release and an alkaline pH, and it is a biocompatible product, which is important because previous pulpotomy treatment type materials weren't always biocompatible," Steyer said.

According to BISCO, TheraCal PT's chemical formulation consists of synthetic Portland Cement calcium silicate particles in a unique hydrophilic matrix.

Additionally, BISCO reports that TheraCal PT's physical properties resist breakdown and degradation leading to a durable seal. The new product is also indicated for direct and indirect pulp capping (liner) and as a base.

More about TheraCal PT

TheraCal PT's chemical formulation consists of synthetic Portland Cement calcium silicate particles in a unique hydrophilic matrix that facilitates calcium release.

TheraCal PT is radiopaque, which, according to the company, enables easy identification and differentiation from recurrent decay and other restorative materials. BISCO asserts that TheraCal PT's physical properties resist breakdown and degradation leading to a durable seal. TheraCal PT is also indicated for direct and indirect pulp capping (liner) and as a base.

BISCO Dental's line of "Thera" brand products includes TheraCal LC, TheraCem and now TheraCal PT.

BISCO believes that "better dentistry can be achieved when practicing the THERA way."

For more information about BISCO's line of Thera products, you can visit the company online at www.bisco.com or call (800) 247-3368.

AD

Be the Hero

Give your patients the single-visit experience they deserve with glidewell.io™.



Visit us at Greater New York Booth 4414!

“

Our practice invests in new technology that will help us give our patients the best results possible. With glidewell.io™, the results are outstanding. **Same-visit crowns with glidewell.io™ have increased our profits so dramatically that the system has paid for itself in less than a year.** That's the type of investment we're happy to make.

— Thomas Rolles, DDS | Costa Mesa, CA

”

Save Over **65 Percent** on Your Lab Bill. Enjoy **\$10,000+** in 2019 Tax Savings.

Get started with same-visit restorations today. Pair your intraoral scanner with glidewell.io™ for just **\$49,995** and receive free milling blocks for six months (a **\$3,900** value)!*

*Offer expires Dec. 31, 2019. Includes fastdesign.io™ Software and Design Station and fastmill.io™ In-Office Mill. Also includes 15 free milling blocks per month (any combination of blocks up to \$650 in value).



www.glidewell.io | 844-949-7184

glidewell.io™
IN-OFFICE SOLUTION

GD-1204643-103019